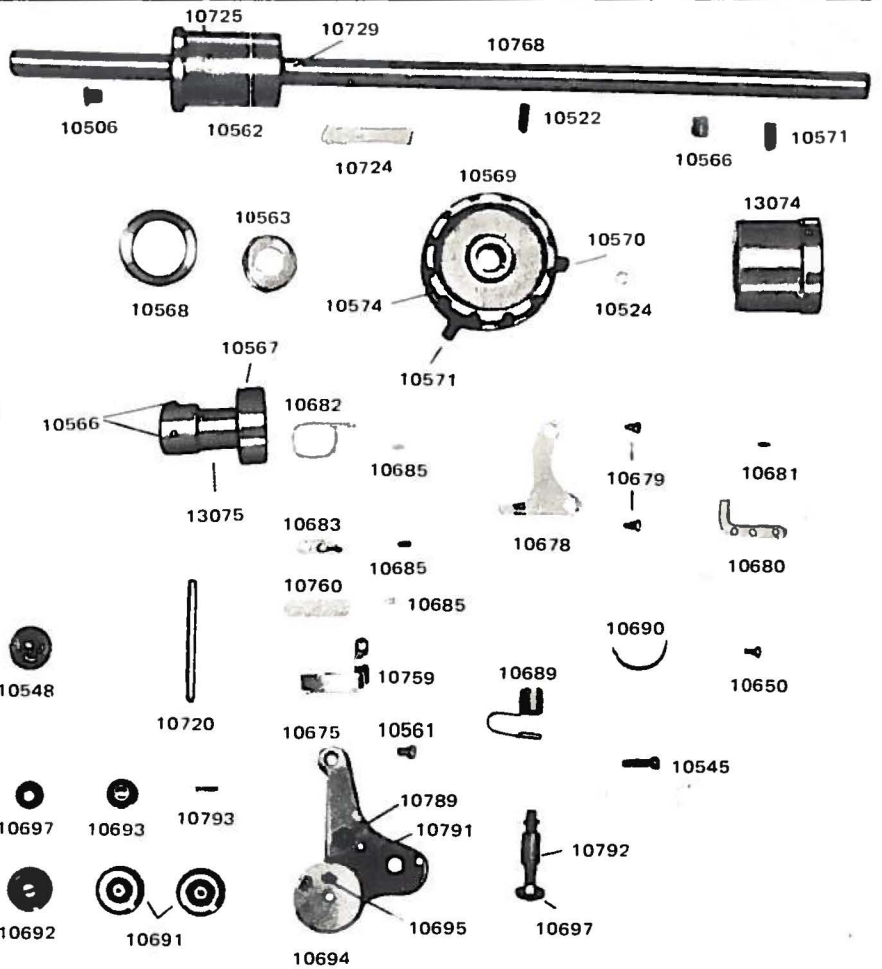


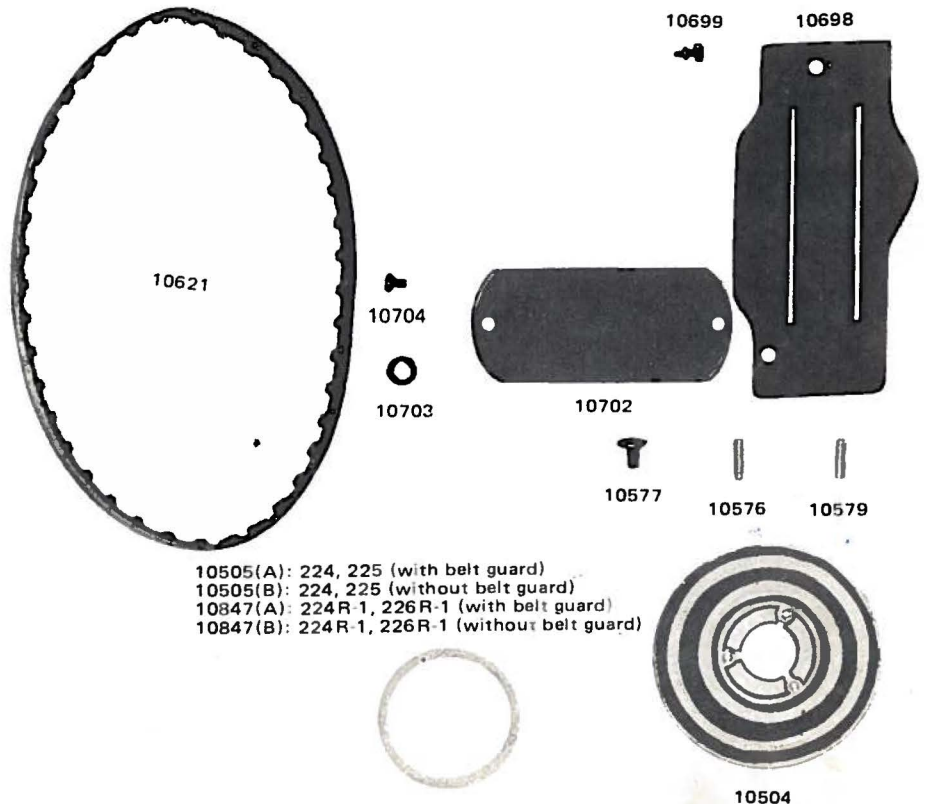
ARM SHAFT-TIMING BELT-THREAD GUIDES TENSION-FACE PLATE

Part No.	Description
10506	Arm shaft oil packing stop screw
10724	Oil felt for arm shaft
10725	Oil felt for arm shaft bushing
10562	Arm shaft bushing (front)
10522	Screw for needle bar crank
10729	Oil felt for 10562
10768	Arm shaft
13074-10564	Arm shaft bushing (back)
10563	Washer for 10562
10569	Arm shaft connecting pulley
10570	Screw for 10569
10574	Arm shaft connecting belt pulley spring flange
10524	Screw for needle bar crank
10571	Screw for 10569
10566	Screw for 10565-10771-10623-10607
10567	Arm shaft ball bearing
13075-10565	Arm shaft ball bearing collar
10566	Screw for 10565-10771-10623-10607
10568	Ball bearing retaining washer
10571	Screw for 10569
10504	Balance wheel 226R-1
10577	Balance wheel adjusting screw
10576	Balance wheel set screw
10579	Balance wheel set screw
10703	Arm cap screw washer
10704	Arm cap screw
10702	Arm cap
10621	Arm shaft connecting belt
10698	Face plate
10699	Face plate thumb screw



TENSION

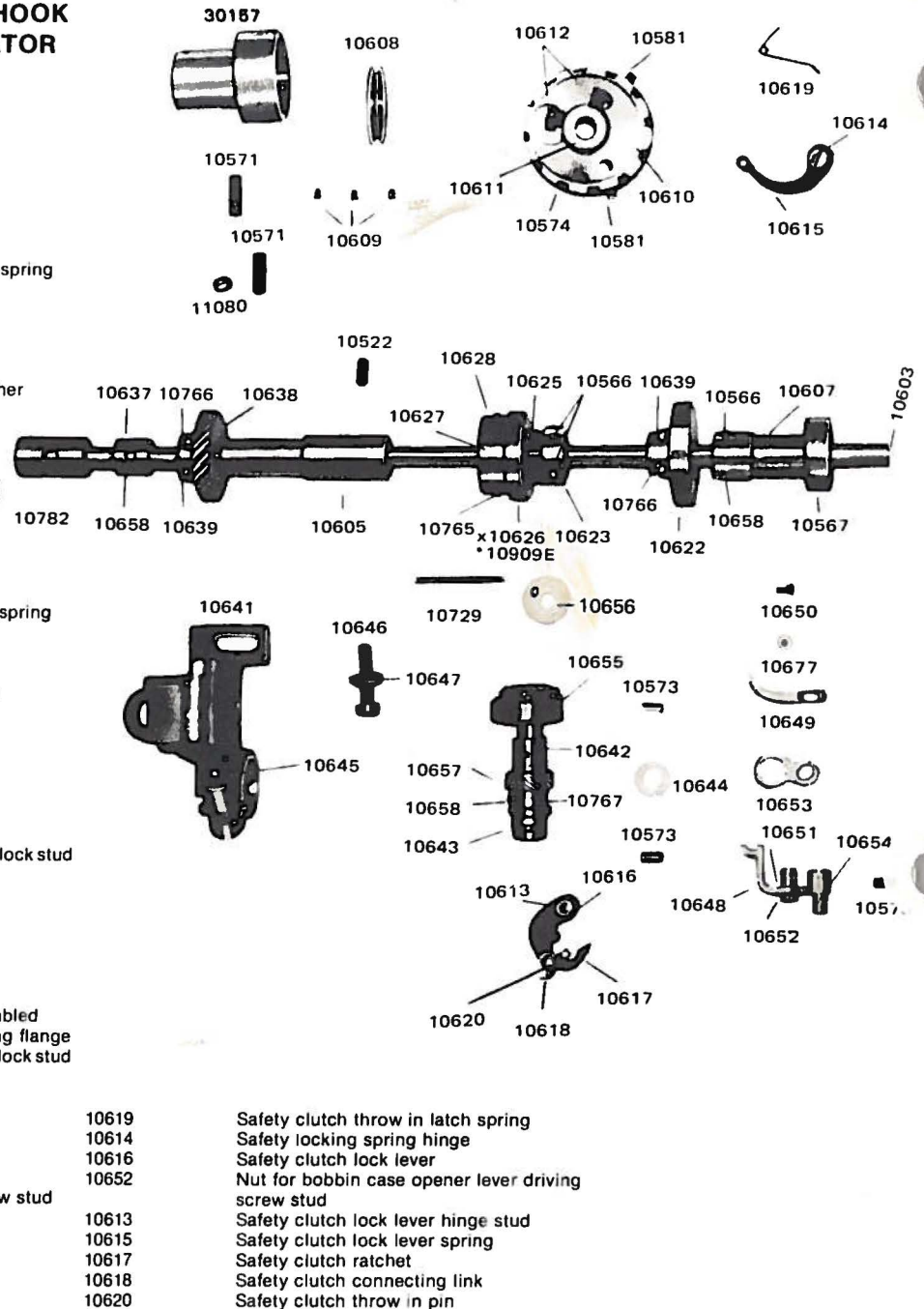
Part No.	Description
10682	Thread guide (upper)
10685	Thread guide screw
10678	Tension release lever
10679	Tension release lever screw
10681	Screw for 10680
10683	Thread guide (middle)
10685	Screw for 10683
10680	Three-hole thread guide
10760	Oil wick for 10759
10685	Thread guide screw
10690	Thread controller springstop
10650	Bobbin case opener
10689	Thread controller spring
10548	Presser bar lifting bracket guide screw
10720	Tension release lever rod
10759	Thread guide (lower)
10675	Tension bracket completely assembled
10561	Screw for 10560 and 10675
10789	Tension stud
10791	Tension bracket pin
10695	Thread controller disc screw
10694	Thread controller disc
10691	Tension disc
10692	Tension release washer
10697	Tension stud nut
10792	Thread controller stud
10545	Screw for 10544



10505(A): 224, 225 (with belt guard)
 10505(B): 224, 225 (without belt guard)
 10847(A): 224 R-1, 226 R-1 (with belt guard)
 10847(B): 224 R-1, 226 R-1 (without belt guard)

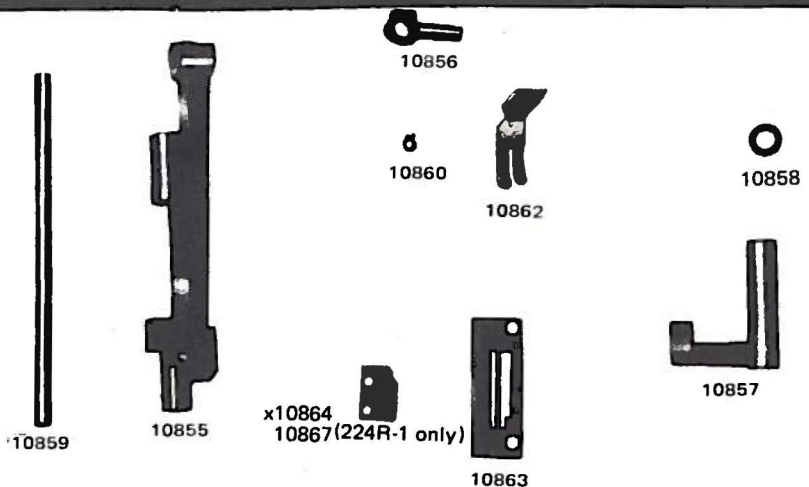
HOOKDRIVING SHAFT-ROTATING HOOK SAFETY CLUTCH-STITCH REGULATOR

Part No.	Description
10571	Screw for 10569
11080	Oil wick for 10782
10637	Feed lifing cam
10766	Screw for 10638
10638	Hook driving gear large
10522	Screw for needle bar crank
10627	Feed driving flange
10628	Screw for 10627
10625	Feed driving eccentric adjusting disc spring
10566	Screw for 10565-10771-10623-10607
10639	Screw for 10638
10566	Screw for 10565-10771-10623-10607
10571	Screw for 10569
30157-10606	Lower shaft bushing (Back)
10608	Lower shaft ball bearing retainer washer
10607	Lower shaft ball bearing collar
10609	Screw for 10608
10603	Hook driving shaft
10782	Hook driving
10658	Screw for hook driving pinion (Small)
10639	Screw for hook driving gear (Large)
10605	Lower shaft bushing front
10765	Screw for feed driving flange
10626	Feed driving eccentric adjusting disc
10909E	Fee driving eccentric adjusting disc
10623	Feed driving eccentric adjusting disc spring
10766	Screw for 10638
10622	Hook driving shaft lock ratchet
10658	Screw for hook driving pinion (Small)
10567	Arm shaft ball bearing
10641	Hook saddle complete w/bushings
10646	Hook saddle screw
10729	Oil felt
10656	Bobbin
10650	Bobbin case opener screw
10612	Screw for safety clutch collar
10581	Screw for needle bar rock frame slide block stud
10645	Hook saddle pinch screw
10647	Hook saddle screw washer
10655	Hook & bobbin case complete
10573	Screw for feed indicating disc
10677	Bobbin case opener washer
10649	Bobbin case opener
10611	Safety clutch collar
10610	Safety clutch pulley completely assembled
10574	Arm shaft connecting belt pulley spring flange
10581	Screw for needle bar rock frame slide block stud
10657	Hook driving pinion (Small)
10642	Hook bushing lower
10644	Hook washer
10653	Bobbin case opener lever link
10658	Screw for hook driving pinion (Small)
10767	Screw for 10657
10651	Bobbin case opener lever driving screw stud
10654	Bobbin case opener lever hinge stud
10573	Screw for feed indicating disc
10643	Hook bushing (Upper)
10648	bobbin case opener lever
10573	Screw for feed indicating disc



SPECIAL PARTS FOR MODEL - 224 - 224R-1

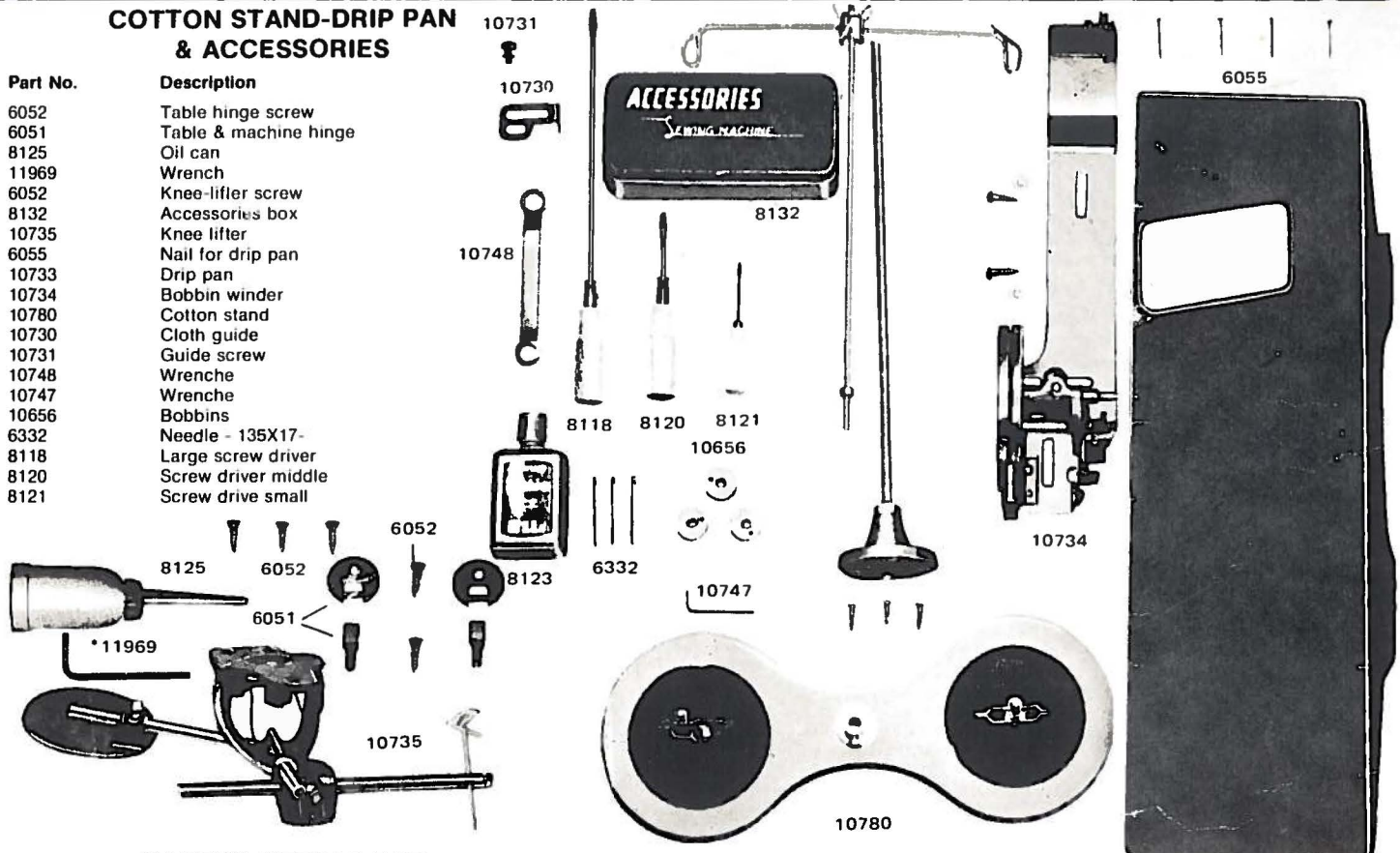
Part No.	Description
10855	Needle bar rock frame (224)
10859	Needle bar 224
10856	Needle bar connecting stud
10860	Thread guide
10862	Hinge foot
10864	Feed dog
10867-	
(224R-1 only)	Feed dog
10863	Needle plate
10858	Washer for 10857
10857	Presser bar lifting bracket



COTTON STAND-DRIP PAN & ACCESSORIES

- Part No.
- 6052
 - 6051
 - 8125
 - 11969
 - 6052
 - 8132
 - 10735
 - 6055
 - 10733
 - 10734
 - 10780
 - 10730
 - 10731
 - 10748
 - 10747
 - 10656
 - 6332
 - 8118
 - 8120
 - 8121

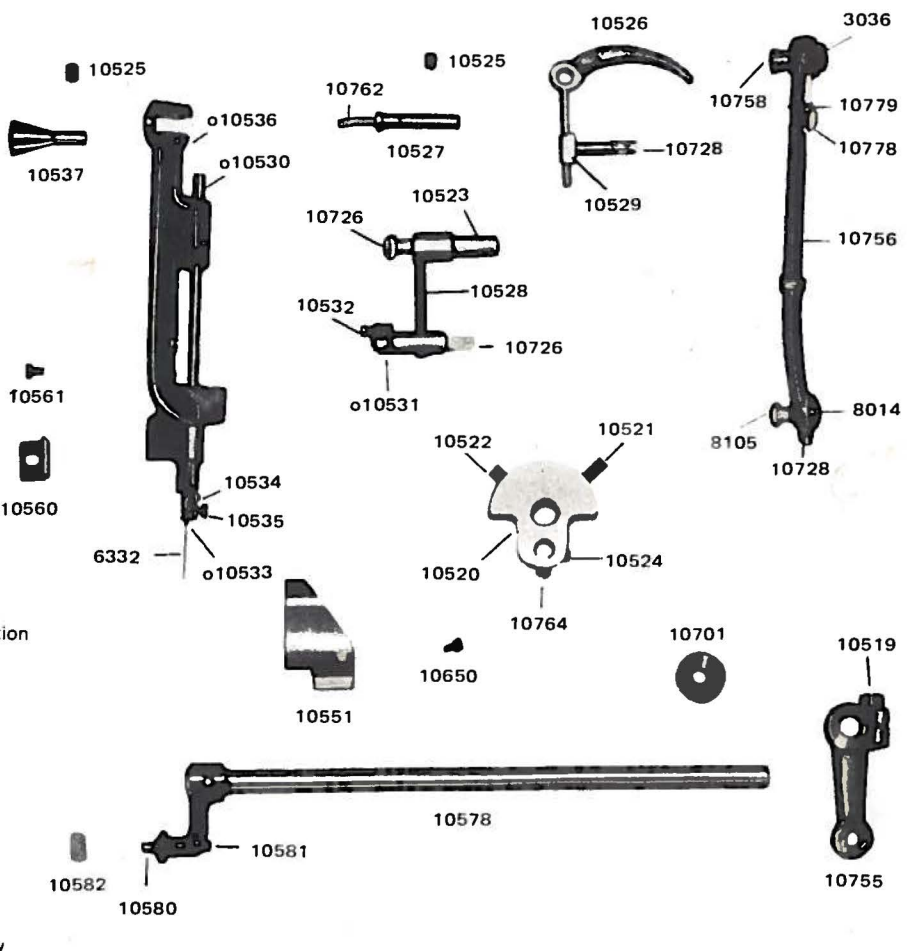
- Description
- Table hinge screw
 - Table & machine hinge
 - Oil can
 - Wrench
 - Knee-lifter screw
 - Accessories box
 - Knee lifter
 - Nail for drip pan
 - Drip pan
 - Bobbin winder
 - Cotton stand
 - Cloth guide
 - Guide screw
 - Wrenche
 - Wrenche
 - Bobbins
 - Needle - 135X17-
 - Large screw driver
 - Screw driver middle
 - Screw drive small



TAKEUP-NEEDLE BAR TOP FEEDING MECHANISM

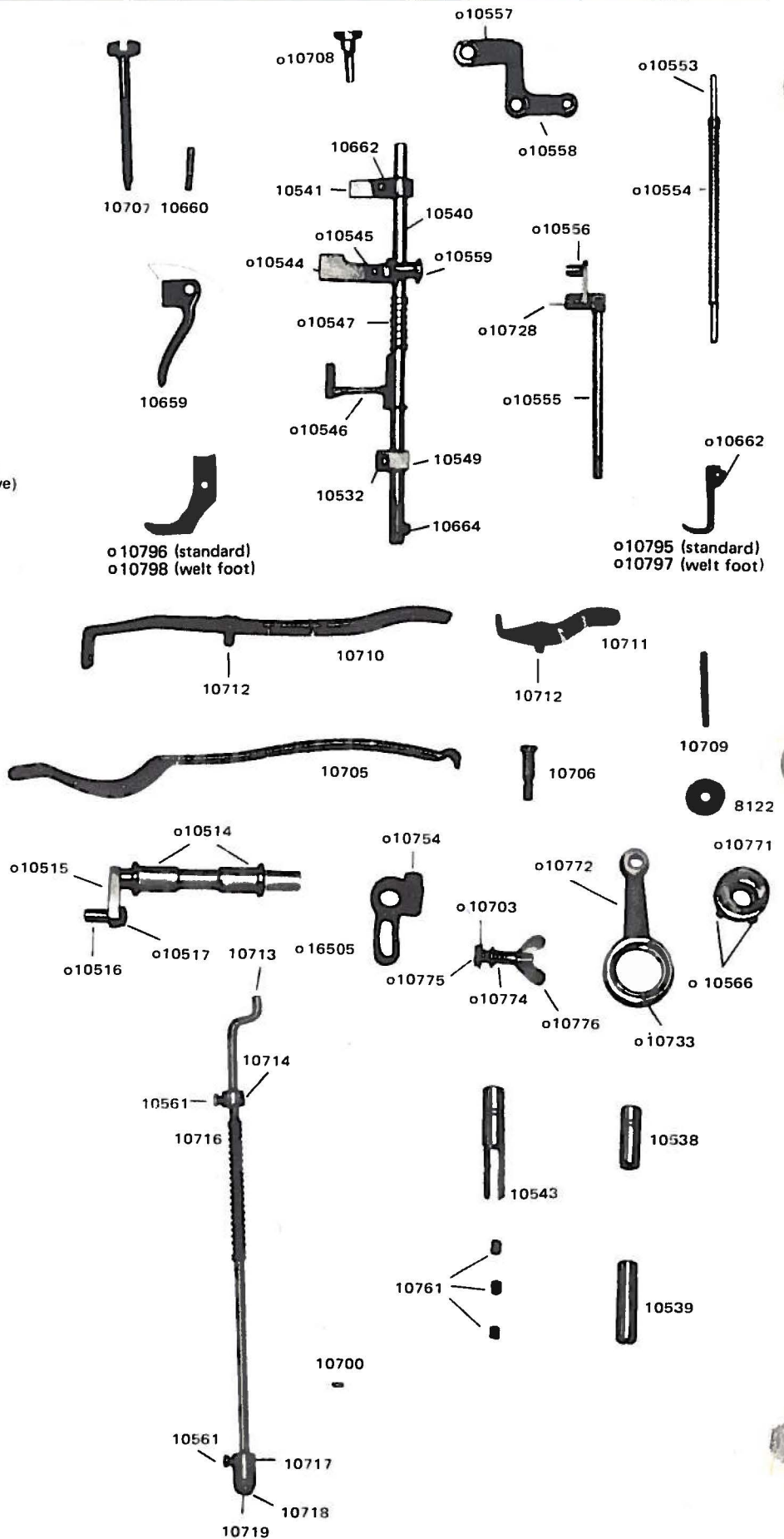
- Part No.
- 10526
 - 10728
 - 10529
 - 10527
 - 10762
 - 10523
 - 10726
 - 10528
 - 10531
 - 10532
 - 10726
 - 10525
 - 10537
 - 10525
 - 10536
 - 10530
 - 10534
 - 10535
 - 10533
 - 6332
 - 10561
 - 10560
 - 10581
 - 10580
 - 10582
 - 10755
 - 10519
 - 10756
 - 10728
 - 8105
 - 8014
 - 10778
 - 10779
 - 10758
 - 3036
 - 10520
 - 10521
 - 10522
 - 10524
 - 10764
 - 10551
 - 10551
 - 10650
 - 10701
 - 10519
 - 10580
 - 10581
 - 10578
 - 10582
 - 10580

- Description
- Take up lever
 - Oil wick for 10526
 - Take up lever driving stud
 - Take up lever hinged stud
 - Oil wick for 10527
 - Needle bar connecting link stud
 - Oil wick for 10523
 - Needle bar connecting link
 - Needle bar connecting stud
 - Screw for 10531
 - Oil wick for 10531
 - Screw for 10537
 - Needle bar rock frame hinged stud
 - Screw for 10527
 - Needle-bar rock frame
 - Needle bar
 - Needle bar thread guide screw
 - Needle set screw
 - Needle bar thread guide
 - Nedle
 - Screw for 10560
 - Needle bar rock frame position bracket
 - Needle bar rock frame rock shaft
 - Screw for 10580
 - Needle bar rock frame slide block stud
 - Needle bar rock frame slide blo
 - Needle bar rock frame rock shaft crank
 - Screw for 10755
 - Needle bar rock frame shaft crank connection
 - Oil wick for 10756
 - Hinge screw for 10756
 - Nut for 8105
 - Oil wick for 10756
 - Press pin for 10778
 - Hinge screw for 10756-10755
 - Nut for 10758
 - Needle bar crank
 - Needle bar crank position screw (A)
 - Needle bar crank position screw (B)
 - Screw for 10523 (A)
 - Screw for 10523 (B)
 - Needle bar connecting link oil guard
 - Screw for 10551
 - Arm shaft bushing oil packing thumb screw



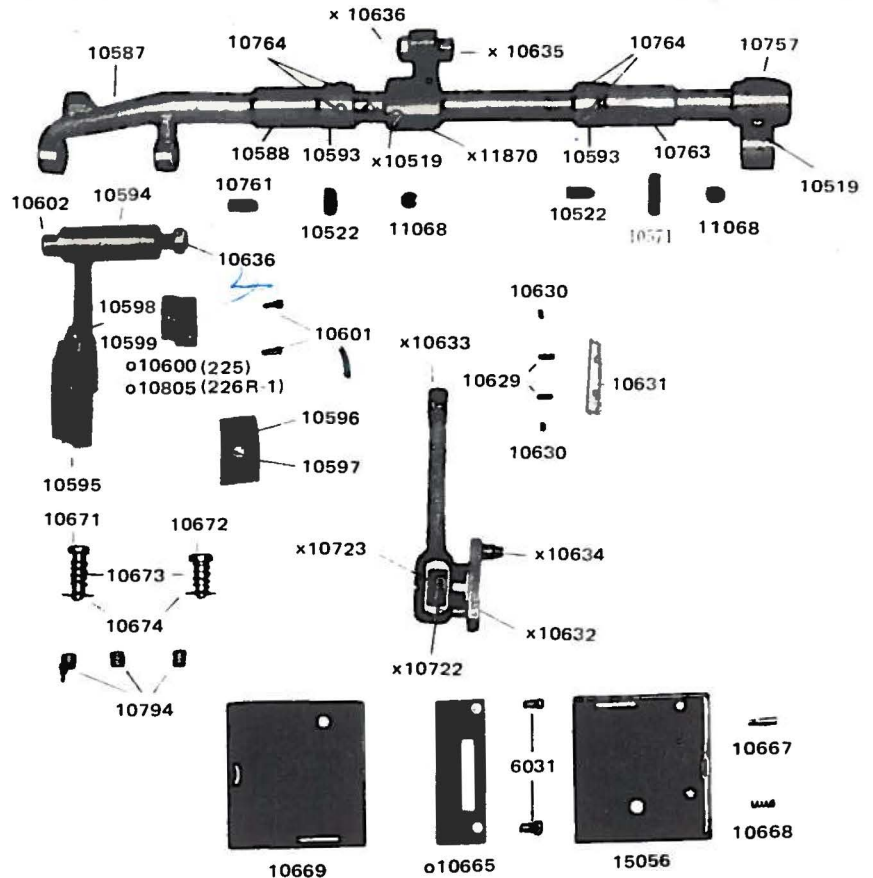
LIFTING & LIFTING ROCK SHAFT PRESSER BAR

Part No.	Description
10700	Face plate position pin
10761	Screw for 10543
10543	Presser bar position guide
10538	Presser bar bushing (Upper)
10539	Presser bar bushing (Lower)
10516	Lifting bell crank link screw stud
10517	Nut for 10516
10515	Lifting rock shaft
10514	Lifting rock shaft bushing
10712	Screw for 11943
10710	Knee lifter lifting lever
10712	Screw for 11943
10711	Knee lifter connection lever
10705	Presser bar flat spring
10706	Presser bar spring support screw
10709	Spool pin
10707	Presser bar spring regulating screw
16505-10751	Lifting eccentric connection crank
10754	Screw for 10751
10775	Lifting eccentric connection hinge screw
10774	Lifting eccentric connection collar (Sleeve)
10703	Arm cap screw washer
10776	Wing nut for 10774
10772	Lifting eccentric connection
10733	Oil drip pan
8122	Felt
10771	Lifting eccentric
10566	Screw
10660	Hinge screw for presser bar lifter
10659	Presser bar lifter
10796	Standart foot
10798	Welt foot
10662	Presser foot pinch screw for 10661
10541	Presser bar position guide bracket
10540	Presser bar
10544	Presser bar lifting bracket
10545	Screw for 10544
10559	Screw for 10558
10547	Tension release spring
10546	Tension release slide
10549	Presser bar spring bracket
10532	Screw for 10531
1664	Presser foot screw
10557	Lifting bell crank link
10558	Lifting bell crank
10556	Vibrating presser bar connecting link
10728	Oil felt for 10591
10555	Vibrating presser bar
10795	Standard foot
10797	Welt foot
10662	Pinch screw for 10661
10554	Vibrating presser bar extension spring
10553	Vibrating presser bar extension
10708	Vibrating presser bar thumb screw
10713	Knee lifter connection lever lifting rod
10714	Lifting rod spring collar
10561	Screw for 10560 and 10675
10716	Knee lifter lifting rod spring
10561	Screw
10717	Lifting rod roller bracket
10718	Lifting rod roller
10719	Lifting rod roller hinged screw



FACE PLATE-LOWER FEEDING MECHANISM NEEDLE PLATE-SLIDE PLATE

Part No.	Description
10587	Feed driving rock shaft
10588-A	Feed driving rock shaft bushing left
10593	Feed driving rock shaft stop collar
10764	Screw for 10593 & 10635
10636	Nut for 10602
10635	Hinged screw
10519	Screw for 15016-10820
11870-10590	Needle bar rock flame rock shaft crank
10593	Feed driving rock shaft stop collar
10764	Screw for 10523-10593
10763	Feed driving rock shaft bushing (back)
10757	Needle bar rock frame rock shaft crank back
10519	Screw for 15016-10820
11068	Liner for 10588-10763
10571	Screw for 13074-10569-15015-10763-10782
10522	Screw for 10520-10588-10763-10605
11068	Liner for 10588-10763
10522	Screw for 10520-10588-10763-10605
10761	Screw for 10543-10538-10539-10588-10763
10594	Feed bar
1060	Screw for 10594-11065
10636	Nut for 10594-10602
10598	Feed lifting cam fork screw
10599	Washer for 10597
10600	Feeder for 225
10805	Feeder for 226R-1
10601	Feeder screw
10595	Feed lifting cam fork
10633	Feed driving connection
10629	Screw for 10631
10630	Screw for 10631
10631	Feed driving eccentric friction G1B
10596	Oiling felt for 10595
10597	Screw for 10596
10671	Feed regulating stud (large)
10672	Feed-regulating stud (small)
10673	Feed regulating stud spring
10674	Feed regulating stud spring clip
10723	Oil felt pin
10634	Feed driving eccentric pin
10632	Feed driving eccentric
10722	Oil felt for 10633
10794-10721	Oil cup
10669	Bed slide front
10665	Throat plate
6031	Throat plate screw
10667	Bed slide (back) stop
10668	Bed slide (back) stop spring

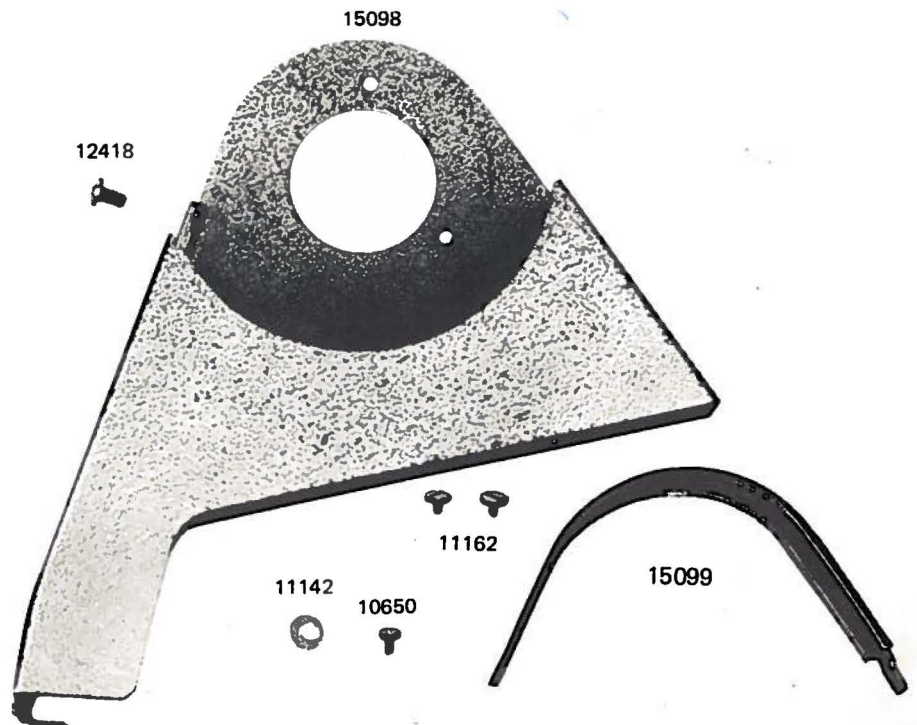


* marked parts are only for Model 224R-1, 226R-1
 x marked parts are only for Model 224, 225
 o marked parts are only for Model 225, 226R-1

BELT GUARD (Optional equipment)

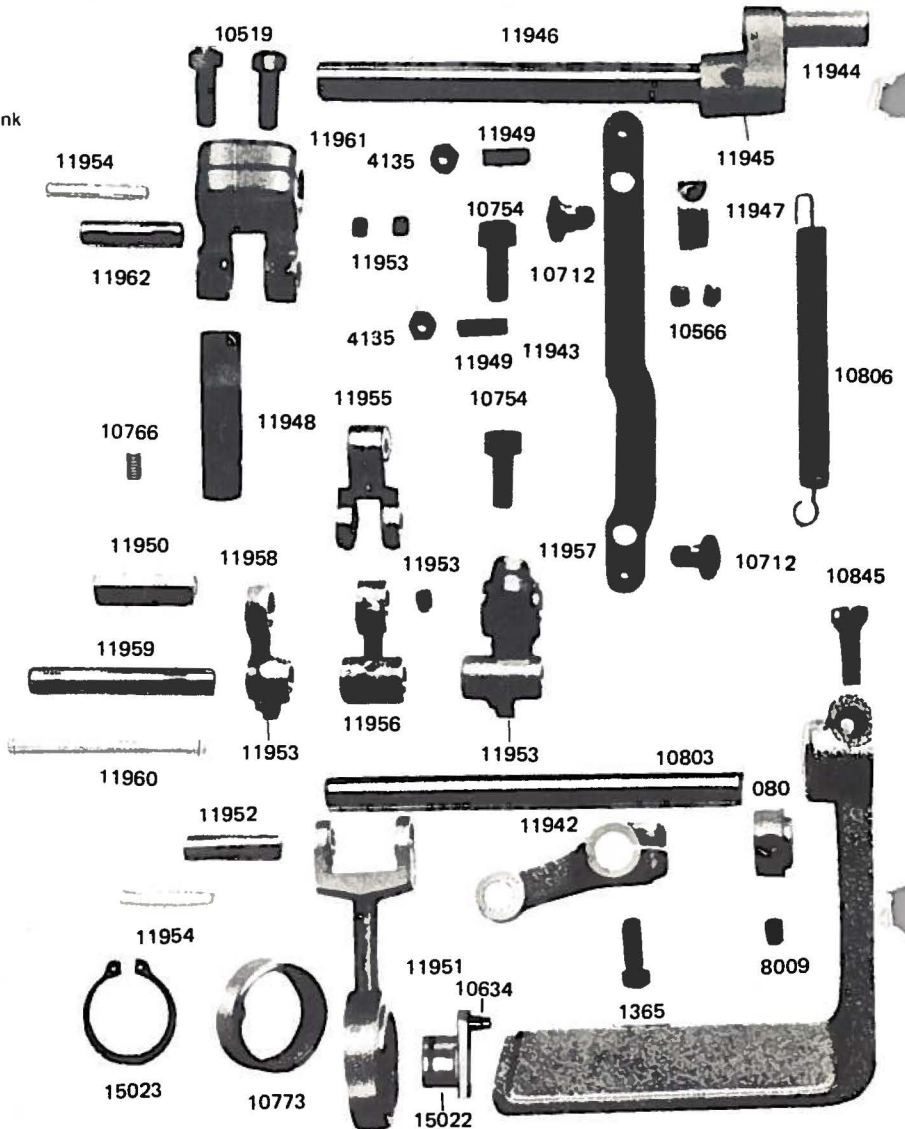
BELT GUARD

Part No.	Description
10505A	224-225 with belt guard
10505B	224-225 without belt guard
10847A	224R-1 - 226R-1 - with belt guard
10847B	224R-1 - 226R-1 - without belt guard
15098	Belt guard
12418	Belt guard screw
11142	Belt guard
10650	Screw
15099	Guard
11162	Screw



REVERSE MECHANISM

Part No.	Description
1365	Screw for reverse feed lever
10519	Screw for needle bar rock frame rock shaft crank
11954	Oiling wick
11961	Feed rock shaft bell crank
11953	Screw for change-over crank (right)
10806	Reverse lever return spring
10845	Screw for reverse lever
10766	Screw for #10638
11955	Feed reverse forked link
10754	Screw for feed rock shaft bell crank
10803	Fulcrum shaft
11950	Feed reverse pin
11958	Change-over crank (Left)
11959	Change-over crank pin
11960	Oiling wick
11952	Connecting rod wrist pin
11953	Screw for change-over crank (Right)
11956	Feed reverse connecting link
11957	Change-over crank (Right)
10712	Screw for bell crank connecting rod
11953	Screw for change-over crank (Right)
11953	Screw for change-over crank (Right)
11953	Screw for change-over crank (Right)
11942	Fulcrum shaft bell crank
10802	Reverse lever collar
8009	Screw for reverse lever collar
10844	Reverse lever
11943	Bell crank connecting rod
11954	Oiling wick
11951	Connecting rod
10712	Screw for bell crank connecting rod
11944	Feed reverse bell crank
11946	Feed reverse shaft
11945	Pin for feed reverse bell crank
15023	Lock ring for feed driving eccentric
10773	Needle bearing for connecting rod
10634	Feed driving eccentric pin
15022	Feed driving eccentric
4135	Nut for #11949
11949	Screw for feed reverse shaft stop
10754	Screw for feed rock shaft bell crank
4135	Nut for #11949
11949	Screw for feed reverse shaft stop
11948	Feed reverse shaft stop
11947	Fulcrum shaft collar
10566	Screw for Fulcrum shaft collar



REVERSE FEEDING OLD-STYLE

Fig.No.	Parts No.	Qty.	Name
1	10519	2	Screw for 10820
2	10820	1	Feed rock shaft bell crank
3	10821	1	Pin for 10820
4	10828	2	Screw for 10821
5	10829	1	Pin for 10818
6	10818	1	Felt for 10840
7	10840	1	Feed reverse fork
8	10819	1	Feed reverse fork collar
9	3036	2	Nut for 10758
10	10758	2	Hinge screw for 10839
11	10839	1	Feed reverse fork connecting link
12	10837	1	Felt for 10839
13	10828	1	Screw for 10838 (B)
14	10827	1	Screw for 10839 (A)
15	10838	1	Feed reverse shaft bell crank
16	10403	1	Feed reverse shaft
17	10811	1	Feed reverse shaft stop
18	10612	1	Screw for 10811
19	10813	2	Nut for 10812
20	10812	2	Feed reverse shaft stop regulating screw
21	10806	1	Reverse lever return spring
22	15208	1	Fulcrum shaft
23	10842	1	Fulcrum shaft bell crank
24	8007	1	Position screw for 10843
25	10812	1	Clamp screw for 10842
26	10841	1	Bell crank connecting rod
27	10712	2	Screw for 10841
28	10802	1	Fulcrum shaft collar
29	8009	1	Screw for 10802

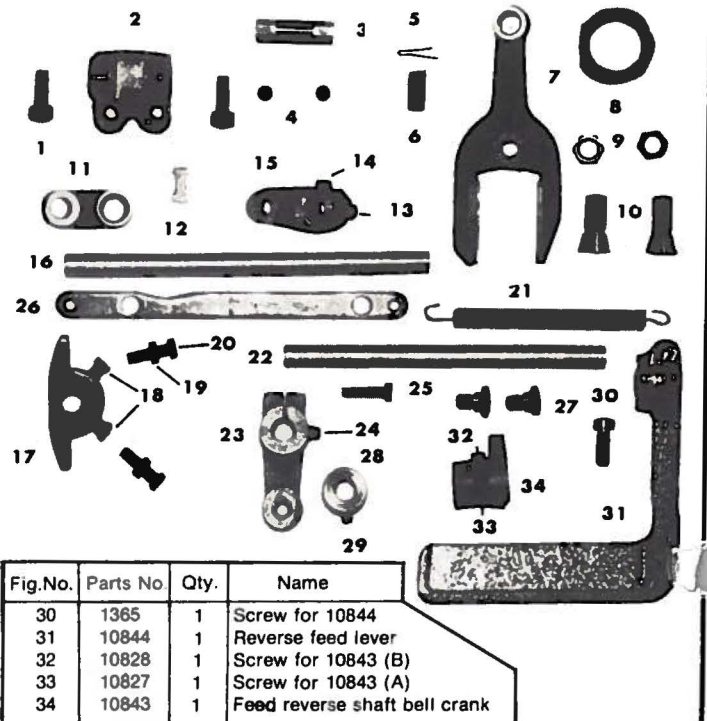


Fig.No.	Parts No.	Qty.	Name
30	1365	1	Screw for 10844
31	10844	1	Reverse feed lever
32	10828	1	Screw for 10843 (B)
33	10827	1	Screw for 10843 (A)
34	10843	1	Feed reverse shaft bell crank